

1

2

A

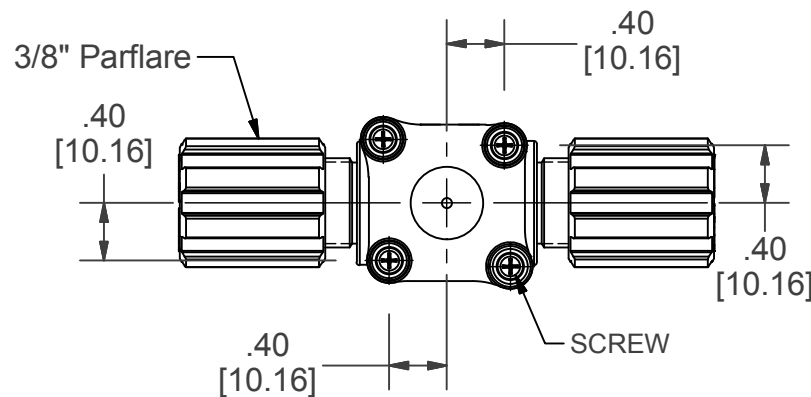
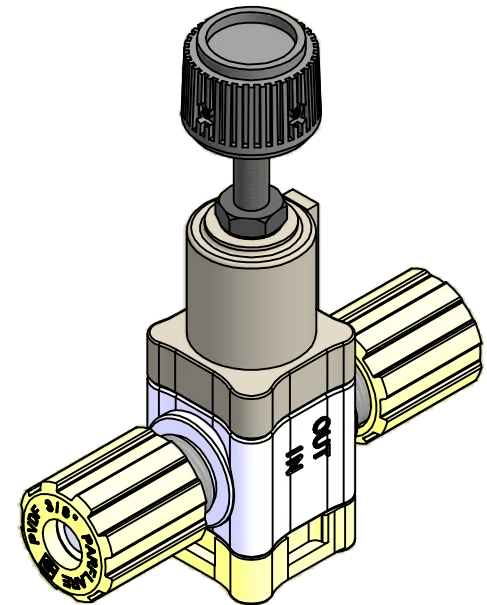
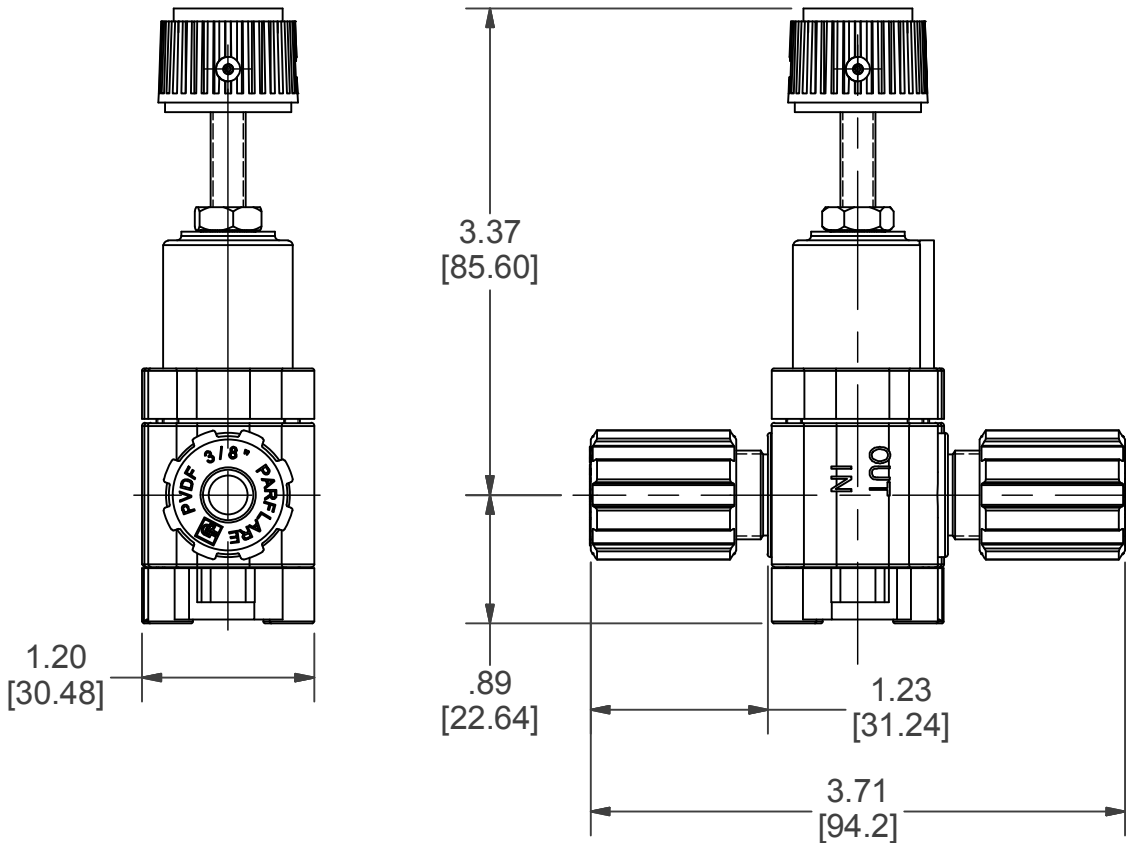
A

B

B

B

B



SALES DRAWING

DESCRIPTION
RV-646-02

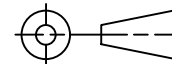
DATE:
7/14/2017

DRAWING NOT TO SCALE SHEET 1 OF 1



DIMENSIONS ARE REF INCH [MM]
DRAWING IS SUBJECT TO CHANGE
WITHOUT NOTICE.

COPYRIGHT PARKER. YEAR OF
COPYRIGHT IS FIRST YEAR
INDICATED ON THIS DOCUMENT.
ALL RIGHTS RESERVED.



1

2

A